



Pergola
NUUN ECO

NNNN
N U U N

Home open to the world
around You





Table of Contents: _____

Pergola NUUN ECO	
characteristic	04
additional elements	06
Technical specification	08
Pergola NUUN ECO additional equipment	
pergola + Screen Cube	10
pergola + Slide Glass	12

Bioclimatic pergola
– the best choice of
terrace roofing



NUUN ECO

The NUUN ECO pergola is a terrace roof consisting of automatically rotating slats, providing natural air circulation, as well as protection against sun and rain. The system is available in a single-module version: free-standing and wall-mounted option.

The NUUN ECO pergola is an attractive and functional flat roof dedicated to private residential buildings as well as commercial spaces. The pergola style will suit both in a modern form of architecture and in a traditional one.

It is possible to expand the pergola construction with additional elements: zip screen sunshades, a glass sliding door system, heat radiators or LED lighting.

The NUUN ECO bioclimatic pergola makes it possible to use the terrace space regardless of the weather or the season.

types of construction NUUN ECO

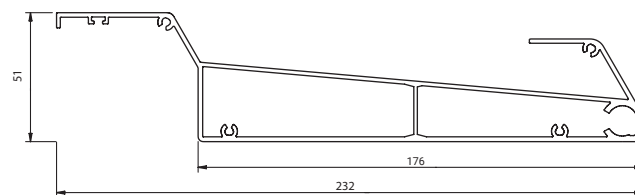


system features

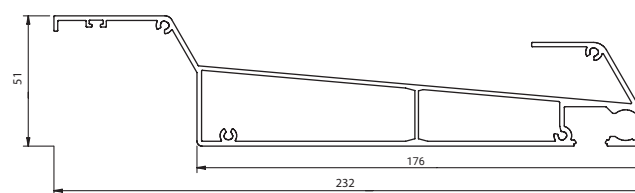
- _ available options of the NUUN ECO pergola: free-standing, wall-mounted
- _ the pergola construction is made of powder-coated extruded aluminium profiles
- _ the roof of the pergola consists of movable aluminium blades – available slat – chamber blade
- _ angle of rotation of the blades (both types): 0° to 110°
- _ the blades of the NUUN ECO adheres tightly to the frame, creating a tight roof due to the use of gaskets in the blades and the structural frame
- _ the construction is equipped with an integrated water drainage system in the post
 - _ possible installation of additional elements and system extension:
 - _ linear LED lighting,
 - _ heat radiator,
 - _ zip screen
- _ sliding glass door system (Slide Glass system)
- _ with the joint of profiles at an angle of 90°, the construction ensures simple assembly and prefabrication
- _ available option of elevated crown /top extension/ which conceals opening blades and the actuator during operation

blades

- _ chamber blade



chamber blade



chamber blade - led

The pergola style will suit both
in a modern form of architecture
and in a traditional one



Pergola NUUN ECO

Additional elements

zip screen roller shutters



Zip screen sunshades. High-quality translucent and non-transparent fabrics, a wide range of colours allow perfect adaptation of the roller shutter to the building design.

glazing



Sliding system for glass installation without thermal insulation – Slide Glass. The system features the minimum visibility of the edges of aluminium profiles, ensuring transparency and visual simplicity of the construction.

lighting



Linear lighting located in the pergola slat and on the construction frame. Available: white linear lighting. Cabling aesthetically concealed in the construction. Additional Option of changing luminous intensity. Remote-controlled or control via an app.

weather sensors

Weather sensors ensure comfort and safety. The rain, wind and snow sensor in the case of adverse weather conditions sends a signal so that the roller shutters can automatically react by closing to protect the equipment on the terrace. The pergola equipped with weather sensors is an intelligent technology that responds to changing weather conditions.



wind sensor



temperature sensor



rain sensor

heat radiators



heat radiator

automation



remote control



telephone

The heat radiator system is a modern and safe heating solution. Controlled via a radio remote control.

The innovativeness of the design of bioclimatic pergolas provides the possibility of equipping it with an automatic control system. Automated pergola – a more comfortable house. Possible control via a remote control, phone or connection of the pergola control system to the home automation control panel will ensure comfort and convenience.



Pergola NUUN ECO

Specification

NUUN ECO pergola

	Wall-mounted	Free-standing
Maximum width	4 000 mm	4 000 mm
Maximum outreach	7 010 mm	6 860 mm
Maximum height	3 000 mm	3 000 mm
Wind load	500 Pa (wind blowing at 100 km/h) - perpendicular to the roof plane*	

* with a construction with a zip screen system - the zip must be raised

2 outreach types:

- _ standard version of the NUUN ECO 75 mm pergola construction
- _ construction of the NUUN ECO pergola with the elevation/crown concealing slats and +150 mm actuators in the structure

colours

NUUN ECO terrace canopies are available in a wide range of colours. Available in full RAL palette, structural colours, Aliplast Wood Colour Effect colours, Aliplast Loft View stone-imitating colours, bi-colour. Quality and durability are guaranteed by the Qualicoat 1518 and Qualideco PL-0001 certificates.

The NUUN ECO pergola made of the highest quality materials (aluminium) is resistant to external factors, which guarantees its long and reliable use.





Pergola NUUN ECO

NUUN Eco+sun shades Screen Cube

pergola + zip screen



Screen Cube is a zip screen sunshade system. The system provides protection against excessive sunlight, is an excellent barrier against wind, insects and pollution. It is an optional part of the NUUN ECO pergola.

- _ shape of the roller box – bevelled at 45°
- _ minimum visible width of the guide profile of 30 x 50 mm – loading beam that retracts completely into the roller box, ensuring optimum access of light in the open position of the shade
- _ the possibility of using an obstacle detection system that stops the shade if an obstacle is encountered
- _ direct integration of the fabric with the guide (welded-in zipper mechanism), guaranteeing maximum sealing
- _ selection of high-quality fabrics including translucent and non-transparent fabrics which reduce sunlight by up to 100% by means of reflection and absorption of sunlight, depending on the fabric selection, while reducing UV radiation
- _ a wide range of colours of structural elements and fabrics allows perfect adaptation the Screen Cube cover to the colours of the NUUN ECO pergola
- _ control: automatic; possible integration of Screen Cube with an intelligent control system.

Maximum height: zip screen installed in the light:

Fabric: 0% - available on request

Fabric: 5% - 3 000 mm

Fabric: 1% - 2 710 mm /measured from the bottom to the top of the box/

Maximum width: 4 000 mm

Minimum dimensions: 950 x 500 mm

Possible shading surfaces with an element width of up to 4 m and a surface area of 12 m².



Pergola NUUN ECO

NUUN Eco+Slide Glass

pergola + slide glass



Slide Glass is a sliding system for glass installation without thermal insulation, designed for installation of vertical walls in pergolas. The use of glass doors and the minimum visibility of the edges of aluminium profiles discreetly determines the boundaries of the external space, emphasising the sense of continuity between the interior and the environment.

- _ possibility of using 3-, 4- and 5-track guides
- _ the rails on which the sashes move can be made of aluminium or stainless steel; the rails can be independent rails, mounted into the running tracks
- _ system equipped with dedicated fittings: trolleys with or without adjustment, handles attached to glass and special hook locks
- _ possibility of closing using the built-in hook catch or a side lockable closure
- _ possibility of using concealed drainage in the system, through the lower subframe profiles
- _ system solutions provide for the possibility of compensating deflections from elements located above the sliding construction
- _ available solution of a profile less labyrinth joint (without sealing) or joint between movable sashes by means of a narrow brush profile.

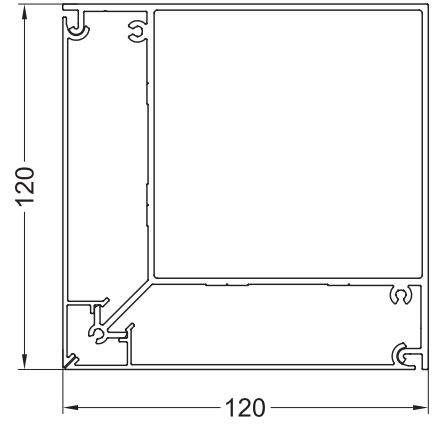
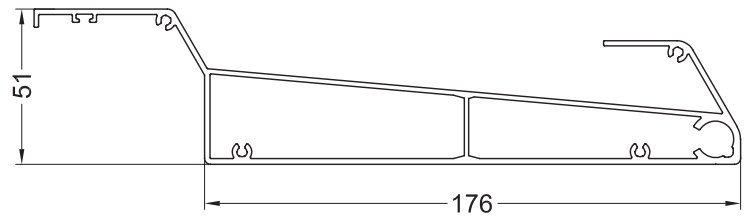
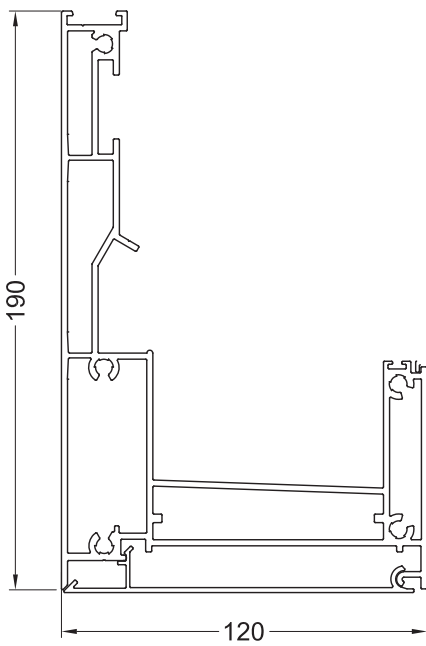
Filling: 10 mm thick tempered glass.

Dimensions of the sashes:

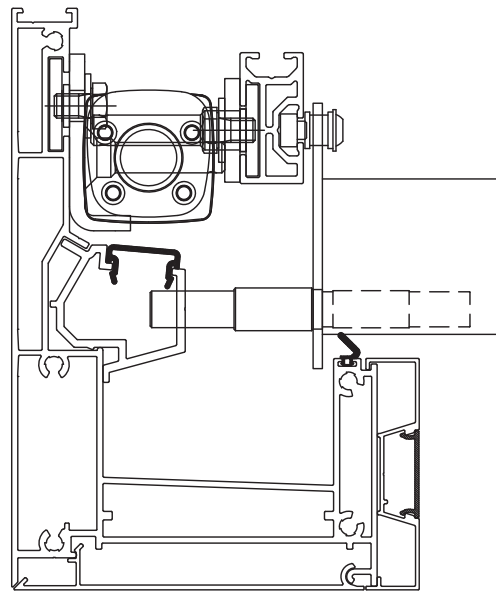
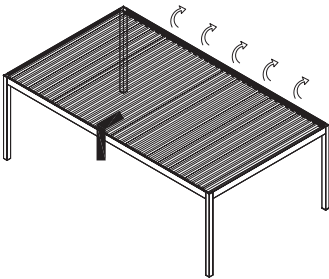
- _ width: 500-1 600 mm
- _ height up to 2 600 mm

Maximum sash weight: 80 kg

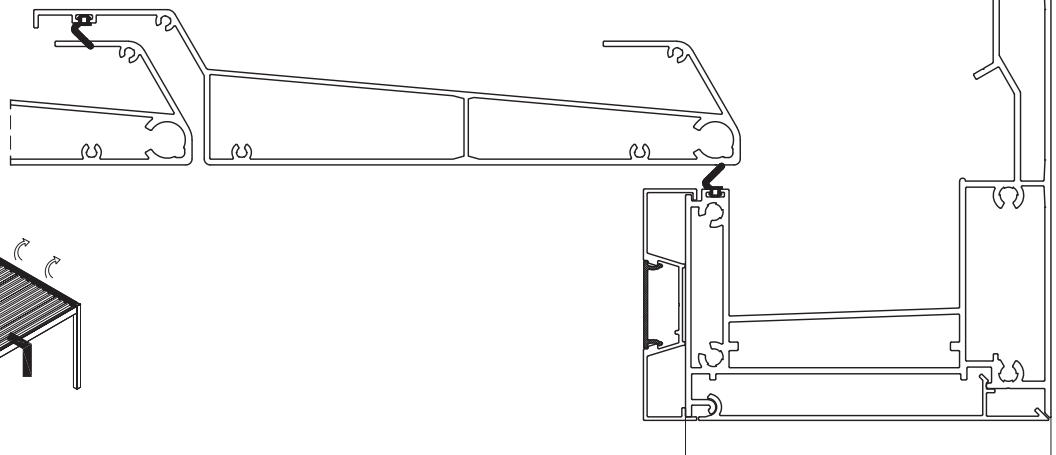
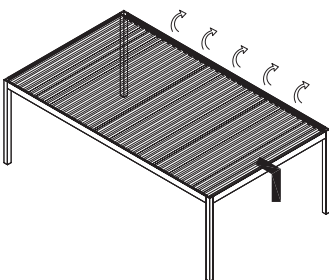
main profiles of the pergola NUUN ECO



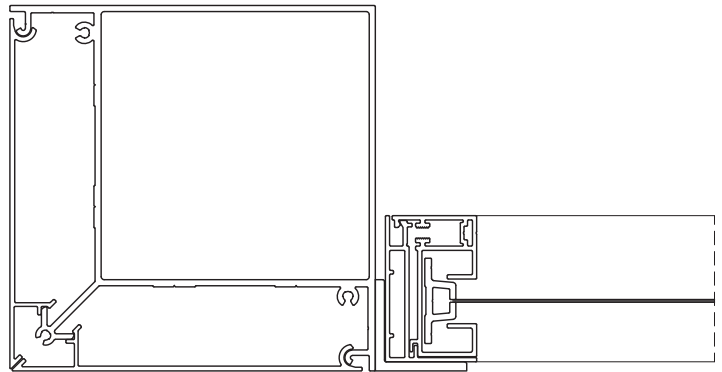
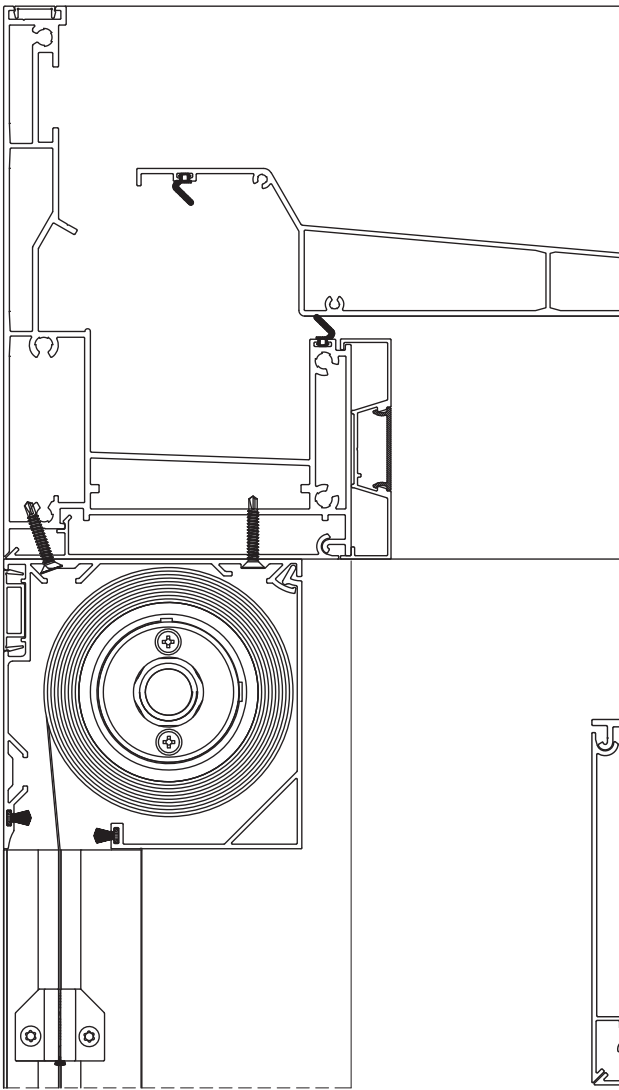
cross-section through the bean profile guide of the pergola NUUN ECO



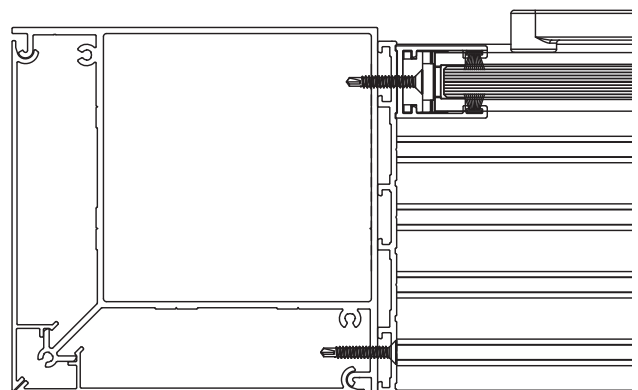
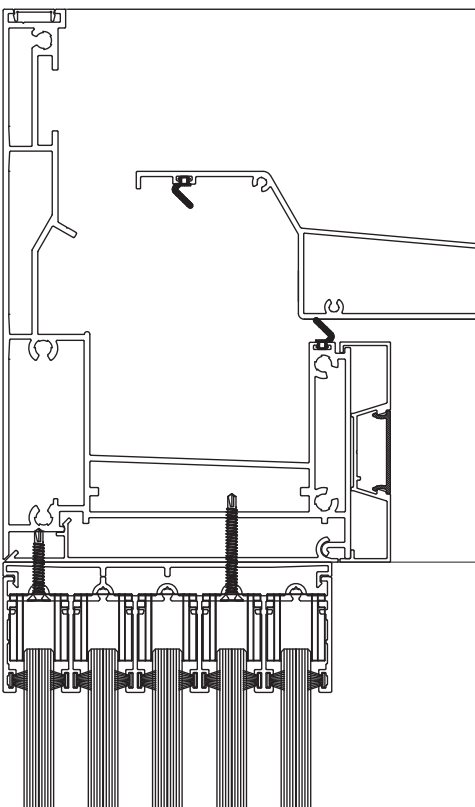
cross-section through the pergola transverse guide NUUN ECO

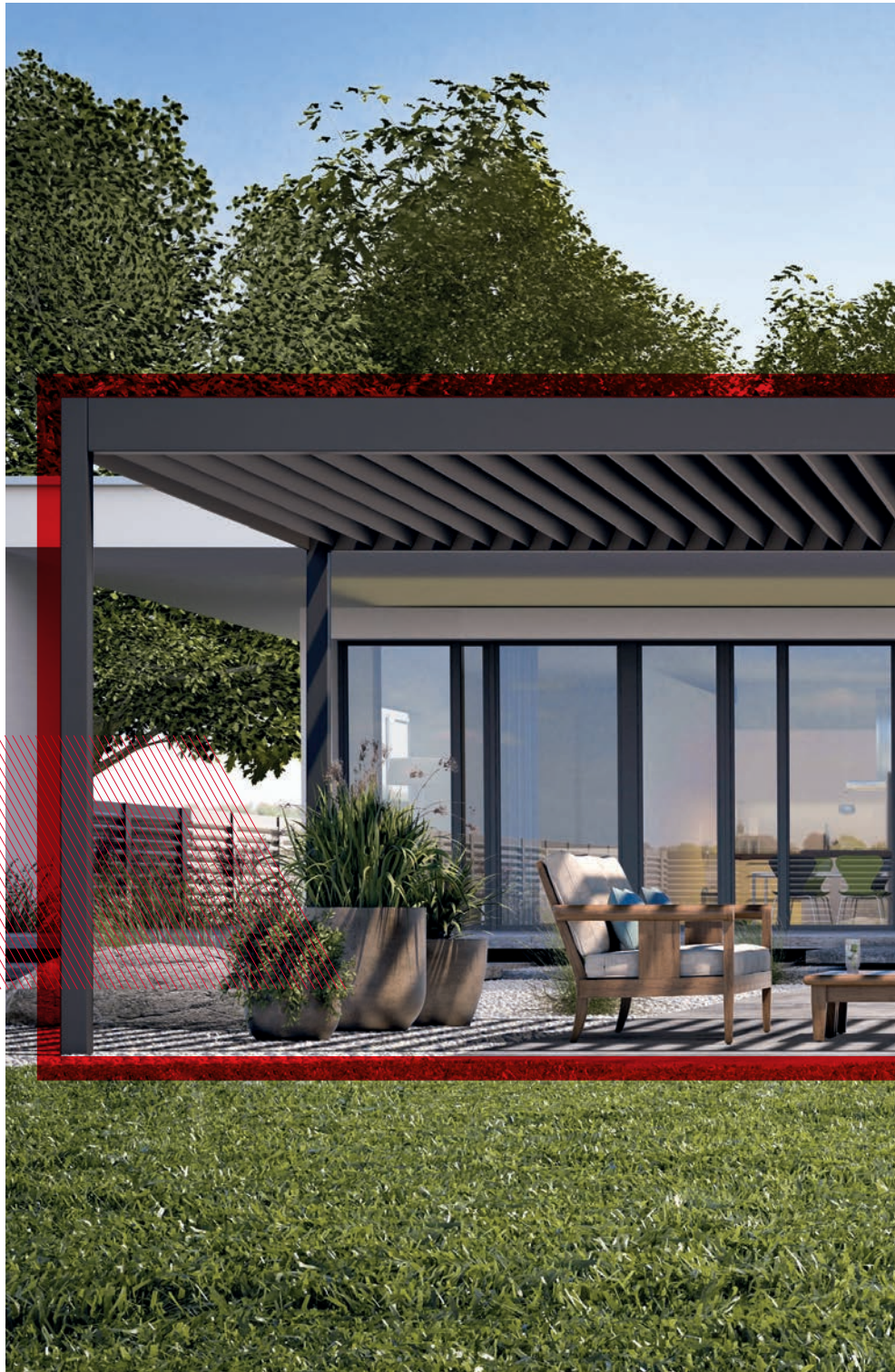
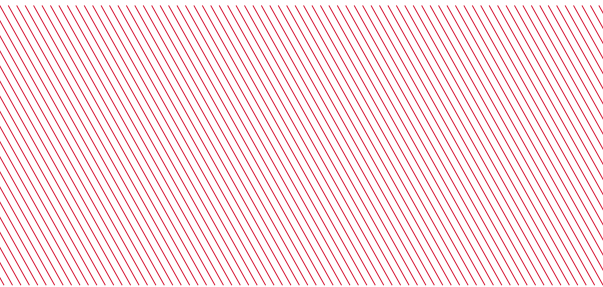


pergola NUUN ECO + zip screen Cube



pergola NUUN ECO + Slide Glass





aliplast
aluminium systems

Aliplast Sp. z o.o.
Wacława Moritza 3
20-276 Lublin, Poland

Contact
phone: +48 81 710 66 10
mobile: +48 609 490 792
e-mail: pergole@aliplast.pl

www.aliplastpoland.com